



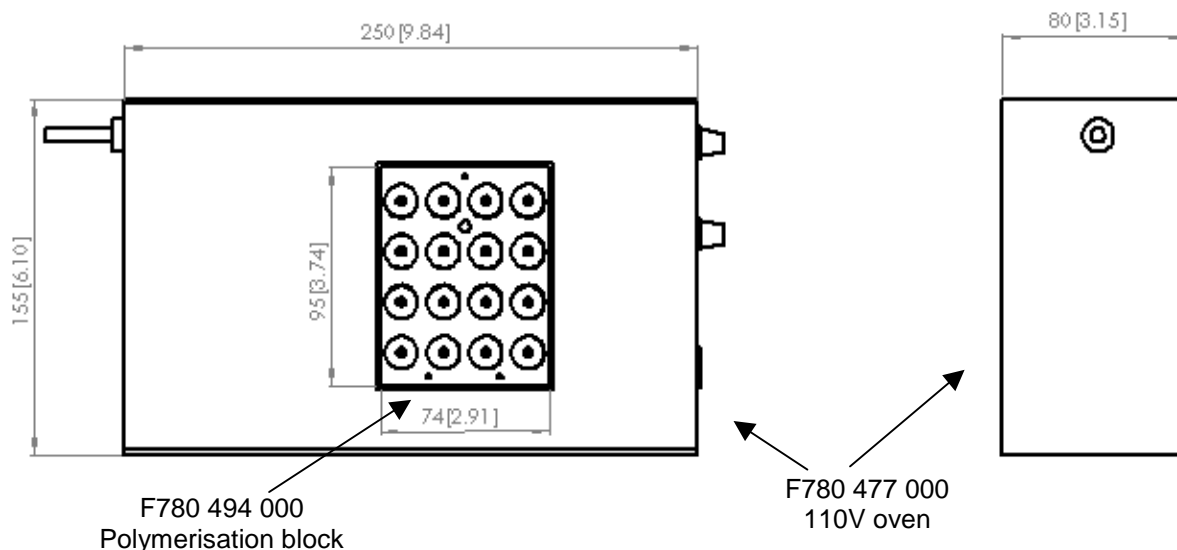
Title : LUXCIS 110V POLYMERISATION OVEN

Series  
TOOL

Issue  
July. 07, 2004

Page  
1/1

Dimensions : [inches] mm



GENERAL

This oven is design to polymerisation of LUXCIS contacts.

It contains:

- A polymérisation block with a hole to take the température
- A bimetallic thermometer with plunging
- A 110V oven

For polymerisation condition refers to LUXCIS note 503 08 550.

CREATION					<b>RADIALL</b> <sup>®</sup> 101, rue P. Hoffmann 93116 ROSNY/BOIS FRANCE Tel : (33) 0149353535 Fax : (33) 0148546363
N°:					
PEN/EP : EPF0203-3					
Name: PHILIPPEAU S.					
Date: 07 07 04					
Appr.: MARIE A.	Issue	Revisions	Name	Appr.	